

# LMG-S14C32

144 Dots X 32 Dots

1/32 Duty

1/6 Bias

## FEATURE

LCD TYPE	STN , FSTN	
LCM CONTROLLER IC	ST7920 or Equivalent	
NUMBER OF CHARACTER	9 CHARACTERS X 2 LINES (144*32 Dots)	
CHARACTER FORMAT	16X16 Dots	
CHINESE CODE SYSTEM	BIG-5 or GB Code	
LCM BACKLIGHT TYPE	LED	
POWER SUPPLY FOR LCM	DC +5V	
LED BACKLIGHT INPUT	DC +5V	
LCM DIMENSION	84.0 (W) X 44.0 (H)	mm
LCM VIEWING	65.0 (W) X 16.0 (H)	mm
ACTIVE DISPLAY AREA	60.45 (W) X 13.41 (H)	mm
LCD DOT SIZE	0.39 (W) X 0.39 (H)	mm
LCD DOT PITCH	0.42 (W) X 0.42 (H)	mm

## ABSOLUTE MAXIMUM RATINGS

ITEM	SYM.	MIN.	TYP.	MAX.	UNIT
OPERATING TEMP.	T <sub>OP</sub>	0	--	+50	°C
STORAGE TEMP.	T <sub>SP</sub>	-10	--	+60	°C
INPUT VOLTAGE	V <sub>I</sub>	V <sub>SS</sub>	--	V <sub>DD</sub>	V
SUPPLY VOL. FOR LCD	--	--	--	--	V

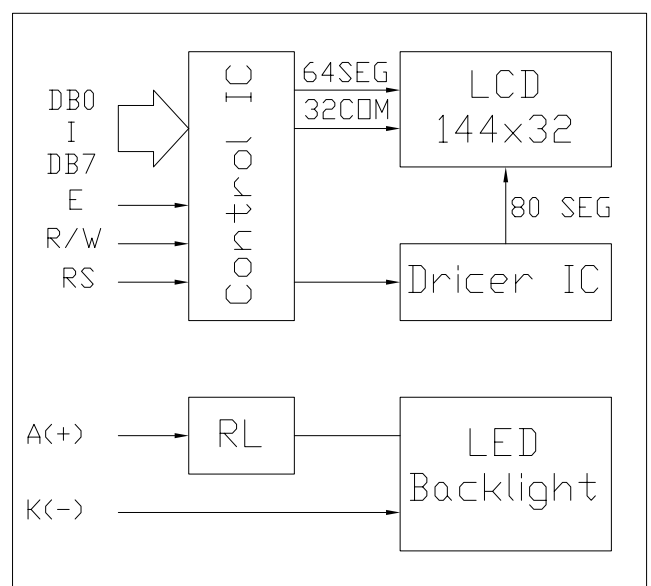
## INTERFACE PIN CONNECTIONS

NO.	SYM.	LEVEL	FUNCTION
1	VSS	--	GND (0V)
2	VDD	--	DC +5V
3	N.C	--	--
4	RS	H/L	Register select
5	R/W	H/L	Read/Write
6	E	H,H→L	Enable signal
7	DB0	H/L	Data Bit 0
8	DB1	H/L	Data Bit 1
9	DB2	H/L	Data Bit 2
10	DB3	H/L	Data Bit 3
11	DB4	H/L	Data Bit 4
12	DB5	H/L	Data Bit 5
13	DB6	H/L	Data Bit 6
14	DB7	H/L	Data Bit 7
15	A(+)	DC+5V	LED Backlight +
16	K(-)	0V	LED Backlight -

## ELECTRICAL

ITEM	SYM.	CONDITION	MIN.	TYP.	MAX.	UNIT
Supply Voltage For LCD Driver	V <sub>LCD</sub>	Ta=0°C	--	6.0	--	V
		Ta=25°C	--	5.8	--	V
		Ta=50°C	--	5.5	--	V
Operating Voltage For LCD Module	V <sub>DD</sub> -V <sub>SS</sub>	--	4.5	5.0	5.5	V
Input High Voltage	V <sub>IH</sub>	--	2.2	--	V <sub>DD</sub>	V
Input Low Voltage	V <sub>IL</sub>	--	0	--	0.6	V
Output High Voltage	V <sub>OH</sub>	--	2.4	--	--	V
Output Low Voltage	V <sub>OL</sub>	--	--	--	0.4	V
Supply Current For Logic	I <sub>DD</sub>	V <sub>DD</sub> =5V	--	3.0	4.5	mA
LED Current	I <sub>F</sub>	Ta=25°C	--	40/100	--	mA

## BLOCK DIAGRAM



## DIMENSIONAL DRAWING

